

SMART WS DT

SELF-POWERED DUAL TECHNOLOGY OUTDOOR SENSOR
COMPATIBLE WITH ANY RADIO TRANSMITTER – LITHIUM BATTERY KIT INCLUDED
 Also available in cabled version

SMART WS is a double technology sensor for doors and windows. Particularly weather-resistant, it has reduced sizes, which make it suitable for protection of well-defined and restricted spaces. SMART WS creates an ultra-reduced curtain barrier of approximately 7.5 degrees and it has an adjustable range up to 10 m. Thanks to using a lithium battery of 3.6 Vdc / 3.2 Ah, the SMART WS detector gives considerable autonomy. Available in white and brown colours, it has the fixing bracket included in the package.

SMART WS DT

ACCESSORIES



DIP SWITCH

TRIMMER OF ADJUSTMENT MICROWAVE



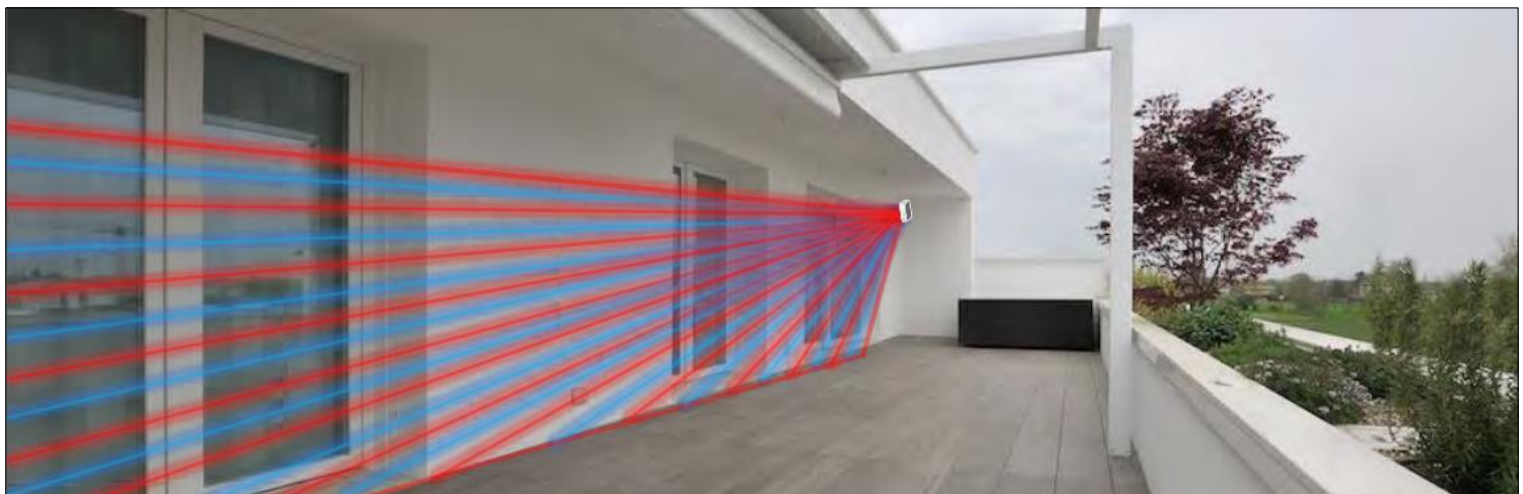
SIDE BRACKET (STANDARD)



RAIN COVER



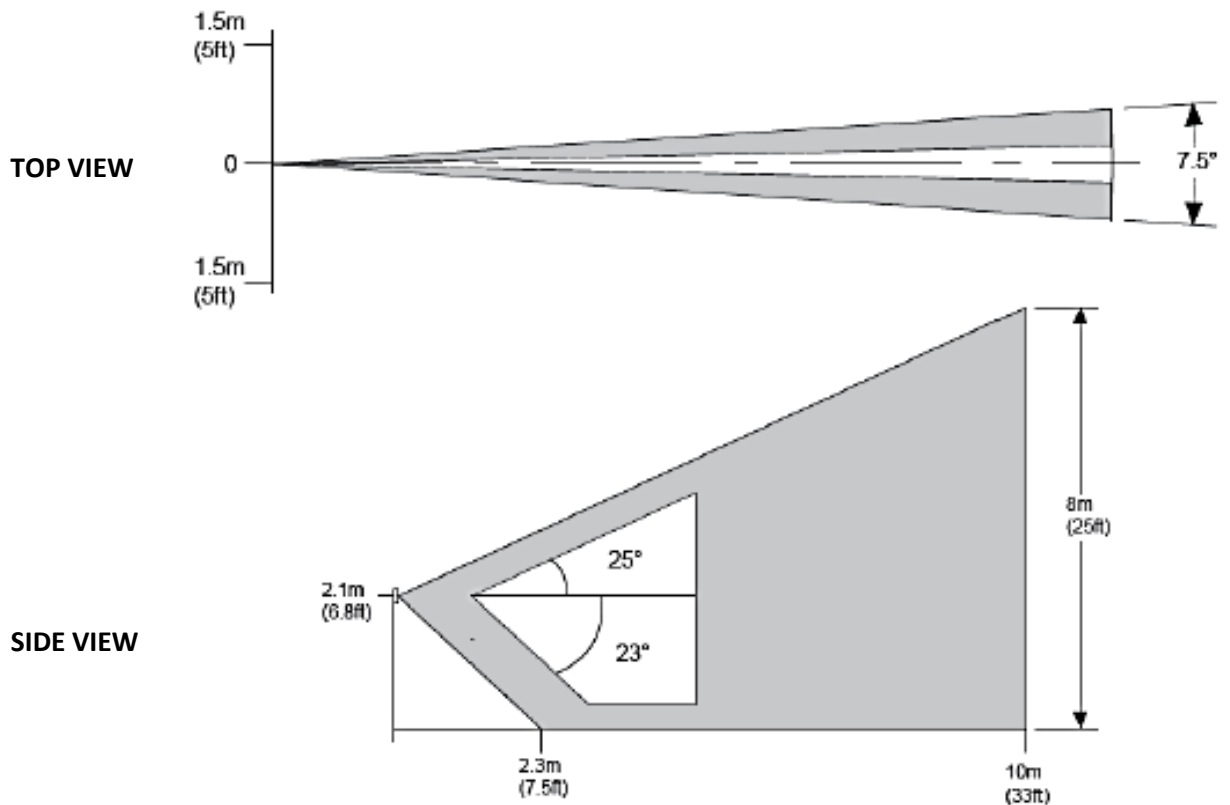
ARTICULATED JOINT



TECHNICAL FEATURES

Maximum range	10 m
Detection angle	Vertical: 80° Horizontal: 7,5°
Consumption	50 uA at Rest 15 mA in Alarm
Microwave frequency	24.000 - 24.250 Ghz
Anti-masking	Yes with active IR
Tamper	Internal contact
Microwave range	Adjustable
Temperature compensation	Automatic
Led signals	YELLOW LED: Infrared Alarm BLUE LED: Microwave Alarm RED LED: Relay Alarm Attention: Once the operations of verification and calibration, turn off the LED (DIP 7 OFF) warning not to reduce the autonomy of the battery. All arrangements must be made to unit OFF.
Power supply	N°1 lithium battery da 3,6 V
Operating temperature	From -20° C. to + 70° C.
Humidity	95%
Dimensions	140 x 43 x 60 mm
Protection class	IP54

DETECTION AREA



MITECH® srl

Offices:
Via Roncaglia, 14
20146 Milano – Italy

Production:
Via Ramazzone, 23
43010 Fontevivo (PR) – Italy

Phone: +39 02.48006383
Fax: +39 02.48025620
tech@mitech-security.com



www.mitech-security.com