

SMART DT

DOUBLE TECHNOLOGY CURTAIN SENSOR

Available in white and brown colours

SMART DT is a double technology sensor for doors and windows. Particularly weather-resistant, it has reduced sizes, which make it suitable for protection of well-defined and restricted spaces. SMART DT creates an ultra-reduced curtain barrier of approximately 7.5 degrees and it has an adjustable range up to 9 m. Available in white and brown colours, it has the fixing bracket included in the package.

SMART DT



DIP SWITCH

TRIMMER OF ADJUSTMENT MICROWAVE



ACCESSORIES



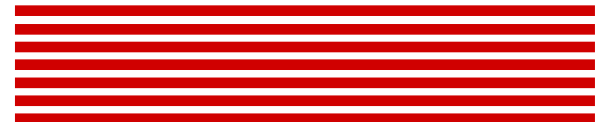
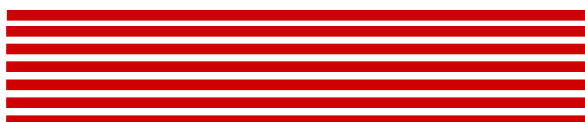
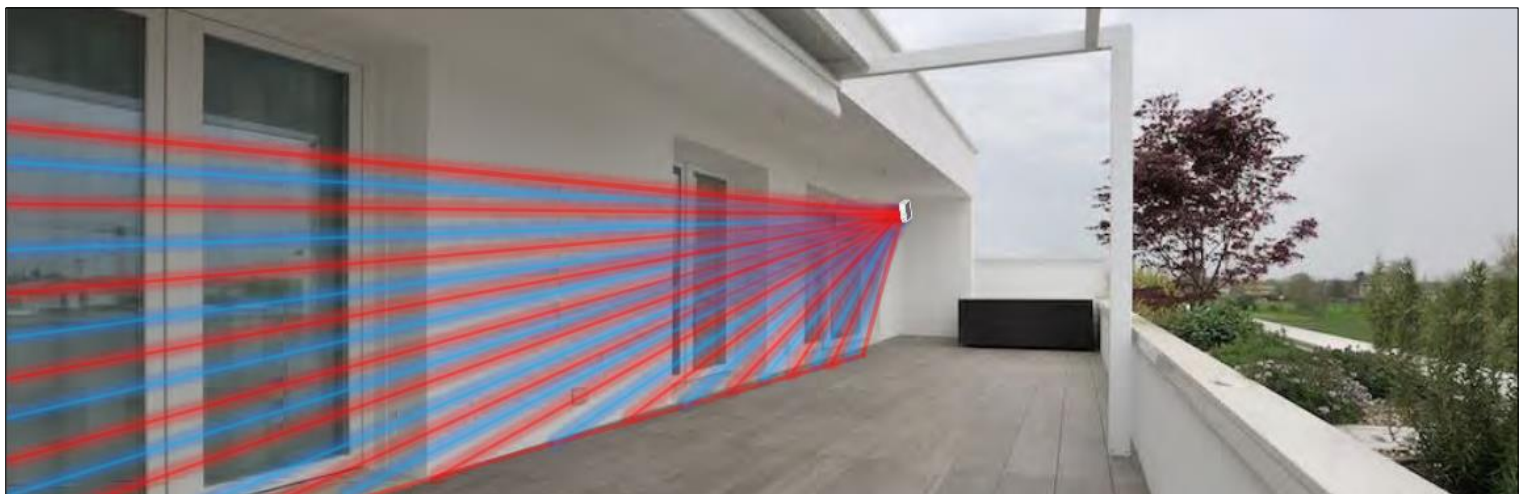
SIDE BRACKET (STANDARD)



RAIN COVER



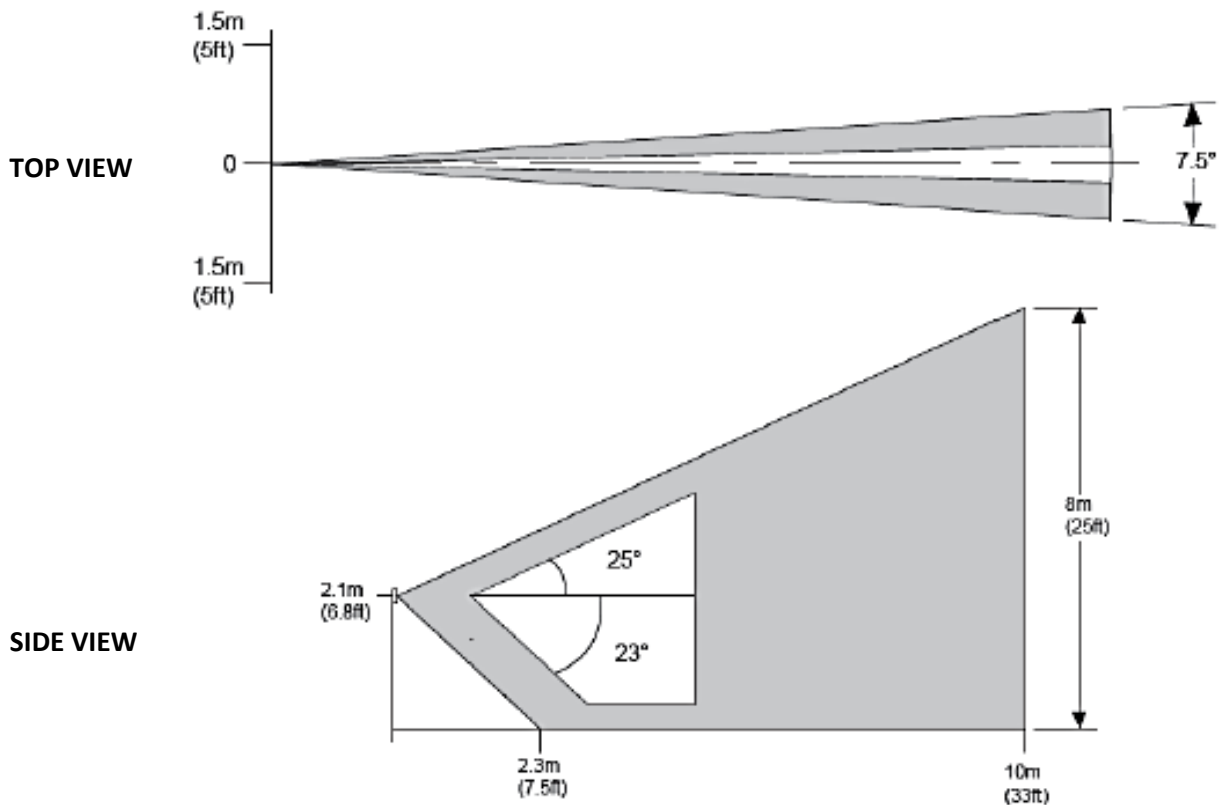
ARTICULATED JOINT



TECHNICAL FEATURES

Maximum range	9 m
Detection angle	Vertical: 80° Horizontal: 7,5°
Consumption	10 mA at Rest 30 mA in Alarm
Microwave frequency	24.000 - 24.250 Ghz
Anti-masking	Yes with active IR
Tamper	Internal contact
Microwave range	Adjustable
Temperature compensation	Automatic
Led signals	YELLOW LED: Infrared Alarm BLUE LED: Microwave Alarm RED LED: Relay Alarm
Power supply	11.5 / 14.5 Vcc
Operating temperature	From -20° C. to + 70° C.
Humidity	95%
Dimensions	140 x 43 x 60 mm
Protection class	IP54

DETECTION AREA



MITECH® srl

Offices:
Via Roncaglia, 14
20146 Milano – Italy

Production:
Via Ramazzone, 23
43010 Fontevivo (PR) – Italy

Phone: +39 02.48006383
Fax: +39 02.48025620
tech@mitech-security.com



www.mitech-security.com