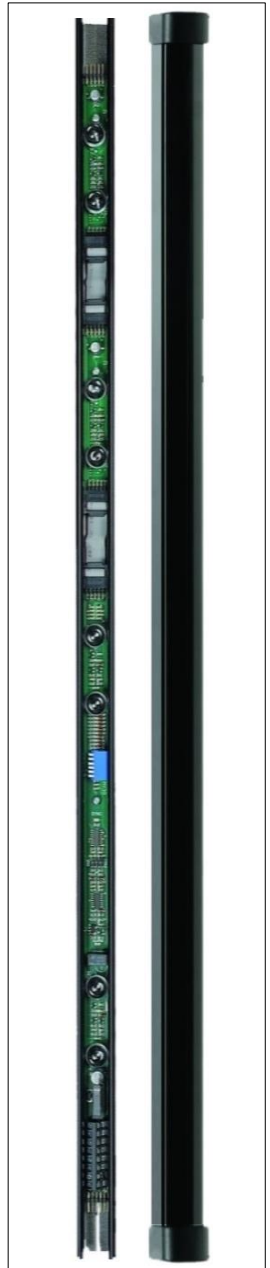


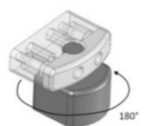
ROYAL DATASHEET

CABLED ACTIVE INFRARED BARRIER WITH OPTICAL SYNCHRONIZATION
Available only in black colour

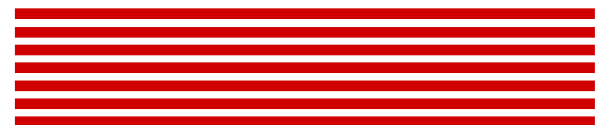
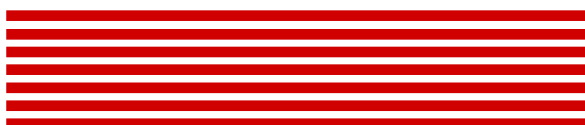
ROYAL is a dual led IR barrier with parallel beams with optical synchronization. It consists of two symmetrical bars to be installed on either side of the entrances to be protected and it allows to anticipate intrusion by leaving freedom to move indoors with even windows and doors open. Thanks to its compact dimensions it can be easily installed in small spaces including the interspaces between doors and windows, rolling blinds and shutters. ROYAL guarantees an excellent reliability standard, high immunity to sunlight and insects. It is sturdy, easy to be installed, available in black colour and it has a maximum range of 6 m.



ACCESSORIES



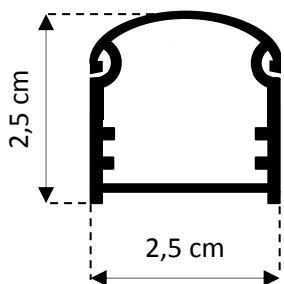
WIN TW
Swivel turn for angle adjustment



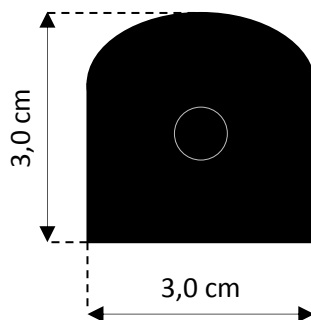
TECHNICAL FEATURES

Barrier height	0,5 m-1,0 m-1,5 m -2,0 m-2,5 m-3,0 m (For non-standard heights, please contact the supplier)
Barrier width and depth	2,5 cm
Barrier structure	Extruded in aluminum and IR polycarbonate, customized bar sizes available on request
Operating temperature	25°C + 70°C
IR signal	Pulsed, coded
Maximum range outdoors	6 m
Minimum range outdoors	20 cm for all heights
Power supply	12 Vdc
Maximum consumption	110 mA - TX+RX
Synchronization	Optical
Maximum number of lenses	6 double
Maximum number of beams	12 linear (adjustable within the bar)
Detection system	OR-AND
Tripping time	Adjustable from 50 to 500 ms
Alarm output	NC relay contact
Tamper output	NC contact
Led indicators	Synchronism – Alarm
Standard compliance	CEI 79/2
Rohs compliance	EN 50131-1 and CEI 79-3
Protection class	IP54
Warranty	3 years

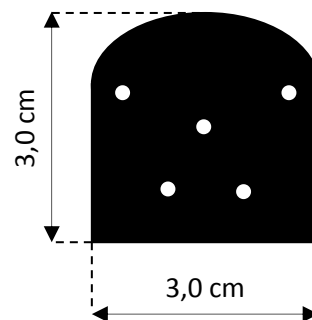
BAR DIMENSIONS WITH COVER



TOP CAP DIMENSIONS



LOWER CAP DIMENSIONS



MITECH® srl

Offices:
Via Roncaglia, 14
20146 Milano – Italy

Production:
Via Ramazzone, 23
43010 Fontevivo (PR) – Italy

Phone: +39 02.48006383
Fax: +39 02.48025620
tech@mitech-security.com



www.mitech-security.com